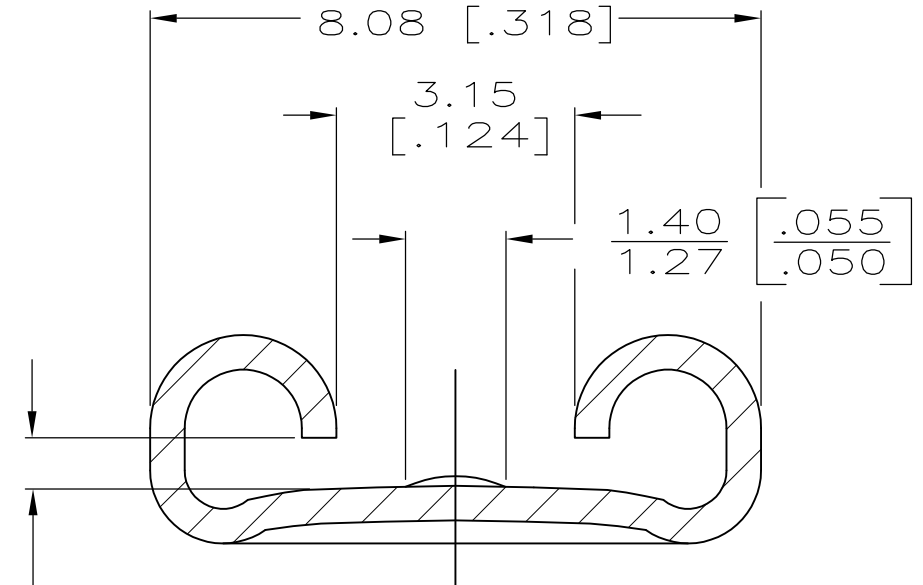
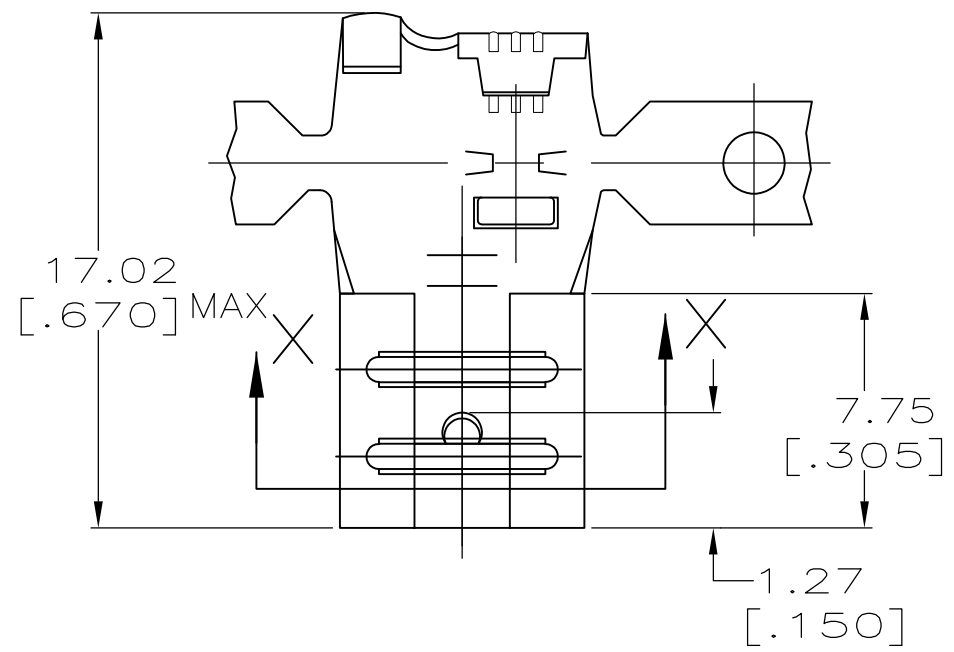


THIS DRAWING IS UNPUBLISHED. RELEASED FOR PUBLICATION
 © COPYRIGHT - By - ALL RIGHTS RESERVED.

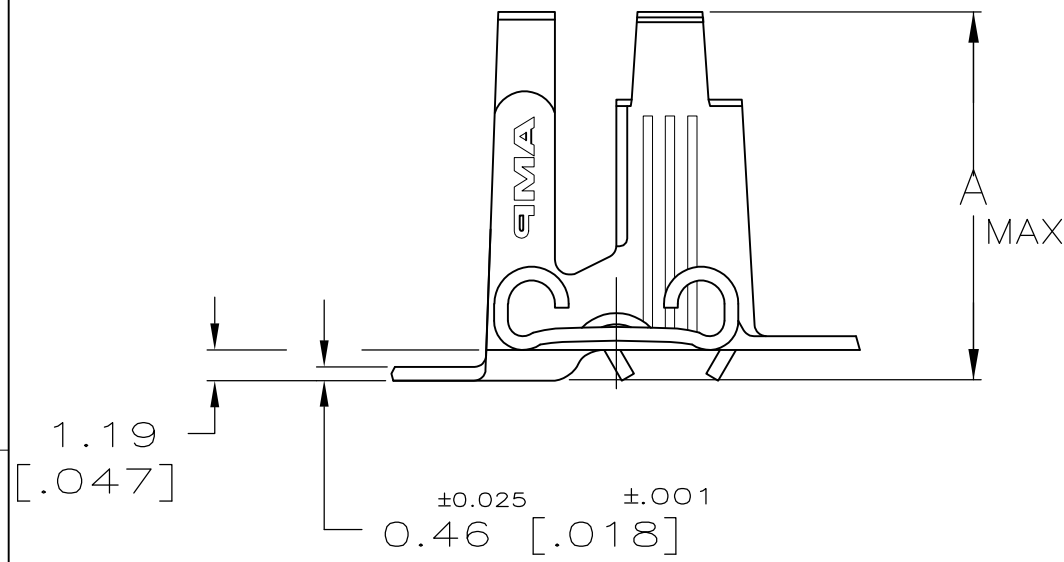
LOC	DIST	REVISIONS					
AF	50	P	LTR	DESCRIPTION	DATE	DWN	APVD
			AD	REVISED PER ECR-11-018063	21DEC11	KH	PD



FITS 6.35 [.250] SERIES FASTON TABS

SECTION X-X
SCALE 10:1

- 1 CONTINUOUS STRIP ON REELS.
- 2 FOREIGN PRODUCTION ONLY
- 3 SILVER PL 0.00381 [.000150] MIN
- 5 NICKEL PL 0.00381 [.000150] MIN



12.19 [.480]		3.0-5.0mm ² [12-10] AWG 6000-10600 CMA		NICKEL 5	T2 STEEL	42563-9
				TIN	T3 PHOS BRZ	42563-8
				SILVER 3	T3 PHOS BRZ	42563-6
				SILVER 3	T3 PHOS BRZ	42563-7
				TIN	T3 PHOS BRZ	42563-5
				-	T3 PHOS BRZ	42563-4
				SILVER 3	#4H BRASS	42563-3
				TIN	#4H BRASS	42563-2
				-	#4H BRASS	42563-1
DIM A	INSULATION RANGE	WIRE RANGE	MATING TAB THK ±0.025 [.001]	FINISH	MATERIAL	PART NO
11.18 [.440]	2.79-5.33 [.110-.210] DIA	3.0-5.0mm ² [12-10] AWG 9600 MAX CMA	0.813 [.032]			

THIS DRAWING IS A CONTROLLED DOCUMENT.

DWN	JR RUTH	2/14/91	TE Connectivity 0.813 [.032] RECEPTACLE, FASTON, FLAG, 6.35 [.250] SERIES			
CHK	P FORTNEY	2/14/91				
APVD	C MEYERS	2/14/91				
PRODUCT SPEC	D REINER	2/14/91				
APPLICATION SPEC			NAME			
MATERIAL	SEE TABLE	FINISH	SEE TABLE			
WEIGHT	-		SIZE	CAGE CODE	DRAWING NO	RESTRICTED TO
CUSTOMER DRAWING			A3	00779	C-42563	-
			SCALE	SHEET	REV	
			4:1	1 OF 1	AD	